

## 2/2 or 3/2 way Rocker-Solenoid Valve with separating diaphragm



Type 6126 can be combined with...



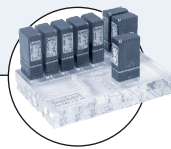
**Type 2506**

Cable plug Form C



**Type 2505**

Rectangular cable plug



**Manifolds**

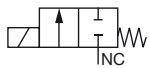
- Valve with isolating diaphragm
- Compact design with 16 mm width and CV ratings up to 0.058
- Flexible design for custom manifold assemblies
- High back pressure tightness, excellent cleanability and 100 % duty cycle
- Normally closed, normally open and universal function

The direct-acting rocker solenoid valve, Type 6126, is suitable for general applications in which compressed air, gases or slightly contaminated liquids are to be switched.

The medium is in contact exclusively with the housing material and the FKM seals. The heat input in the medium is minimal, because the housing is separated from the coil by a stainless steel plate.

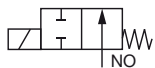
The valves can be mounted directly or also single or manifold mounted. They are used for dosing, filling, mixing and distributing small quantities of medium.

### Circuit function A



2/2 way direct-acting solenoid valve, normally closed

### Circuit function B



2/2 way direct-acting solenoid valve, normally open

### Circuit function T



3/2 way direct-acting solenoid valve, flow direction optional

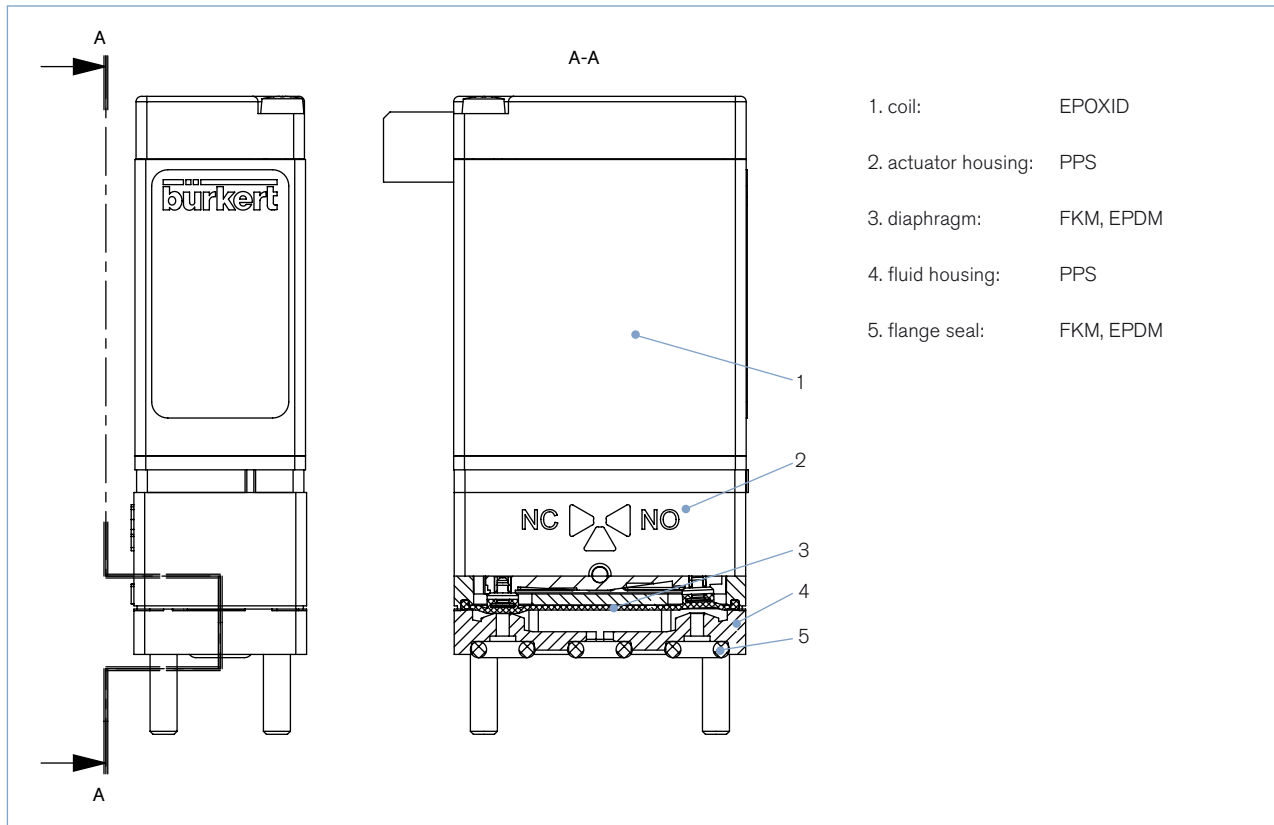
Technical data	
<b>Orifice [mm]</b>	DN0.8 - 1.6 (for details see ordering chart)
<b>Body material</b>	PPS
<b>Seal material</b>	FKM, EPDM
<b>Medium</b>	Resistant to neutral liquids and gases (see Bürkert chemical resistance chart)
<b>Media temperature</b>	- 10 to 55 °C <sup>1)</sup>
<b>Ambient temperature</b>	max. 55 °C
<b>Viscosity</b>	max. 21 mm <sup>2</sup> /S
<b>Internal volume</b> with sub-base on request	starting at 44 µl < 10 µl <sup>2)</sup>
<b>Port connection</b>	Bürkert sub-base (16 × 27 mm)
<b>Electrical connection</b>	Cable plug Type 2505 Tag connector acc. DIN 43650 C for Cable plug Type 2506 above 2 FEP-Flying leads, AWG 24, length 500 mm <sup>3)</sup>
<b>Operating voltage</b>	12 and 24 V DC; other Voltages on request
<b>Voltage tolerance</b>	± 10%
<b>Power consumption</b>	3.4 W
<b>Duty cycle</b>	continuous rating 100% ED
<b>Installation</b>	as required, preferably with actuator upright
<b>Protection class</b>	IP65 with flying leads or cable plug IP40 with Rectangular plug
<b>Response times</b>	acc. ISO 12238:2001; Measured at valve outlet at 2 bar and + 20 °C Opening approx 25 ms (Pressure range 0 to 10%) Closing approx 25 ms (Pressure range 100 to 90%)

<sup>1)</sup> Temperature may vary depending on orifice and seal material. For further information see on page 2.

<sup>2)</sup> The internal volume can vary depending on the housing. For further information see on page 2.

<sup>3)</sup> Other electric connectors and other cable lengths upon request.

Materials



- 1. coil: EPOXID
- 2. actuator housing: PPS
- 3. diaphragm: FKM, EPDM
- 4. fluid housing: PPS
- 5. flange seal: FKM, EPDM

Detailed medium temperature (depending on material and orifice)

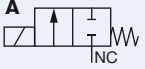


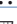


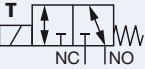





	Orifice	Seal material	Temperature range
media temperature	DN0.8	FKM	0 to +50 °C
	DN0.8	EPDM	-5 to +50 °C
	DN1.2 & 1.6	FKM	+5 to +50 °C
	DN1.2 & 1.6	EPDM	0 to +50 °C
media temperature with limitation on switching time and life expectancy	DN0.8	FKM	-5 to +55 °C
	DN0.8	EPDM	-10 to +50 °C
	DN1.2 & 1.6 <sup>1)</sup>	FKM	0 to +55 °C
	DN1.2 & 1.6	EPDM	-5 to +50 °C

<sup>1)</sup> upon request up to -15 °C available.

Detailed internal volume (depending on fluid housing)

Body	2-way low dead volume		2-way		3-way	
	fluid chamber	total	fluid chamber	total	fluid chamber	total
sub-base	44 µl	54 µl	97 µl	106 µl	90 µl	106 µl

## Ordering chart for Typ 6126

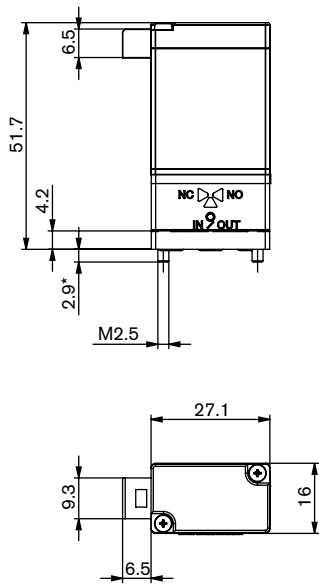
Circuit function	Orifice [mm]	Port connection	K <sub>v</sub> value water [m <sup>3</sup> /h]	C <sub>v</sub> value water [gal/min]	Q <sub>90</sub> value air [l/min]	Pressure range [bar]	Seal material	Fluid housing material	Electrical connection	Voltage/frequency [V/Hz]	Article no.
<b>A</b>  2/2 way valve, direct-acting, normally closed	0.8	sub-base	0.015	0.017	16	Vac 0-6	FKM	PPS	Tag connector to side	012/DC	139151 
										024/DC	139088 
									Rectangular plug	024/DC	139236 
									Tag connector to side	012/DC	139154 
							EPDM		024/DC	139155 	
<b>T</b>  3/2 way valve, direct acting, universal functions	0.8	sub-base	0.015	0.017	16	Vac 0-6	FKM	PPS	Tag connector to side	012/DC	139158 
										024/DC	139159 
									Rectangular plug	024/DC	139237 
									Tag connector to side	012/DC	139162 
							EPDM		024/DC	139163 	



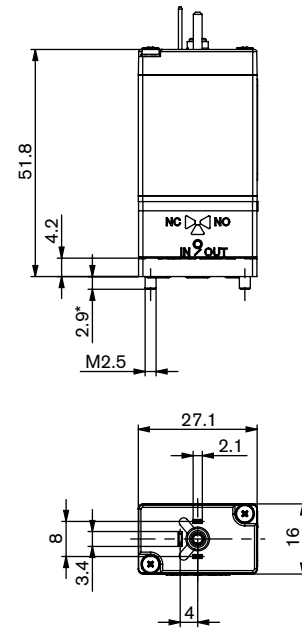
Other versions on request

## Dimensions [mm]

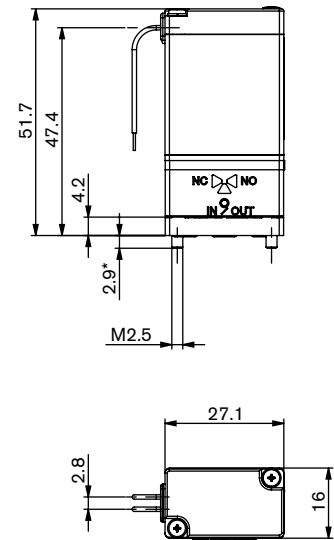
Manifold mount version with rectangular plug



Manifold mount version for cable plug



Manifold mount version with flying leads



**Classification of fluid connections**

2/2-way-valve, normally closed (circuit function A)  
inflow at "NC"-connector

2/2-way-valve, normally closed (circuit function B)  
inflow at "NO"-connector

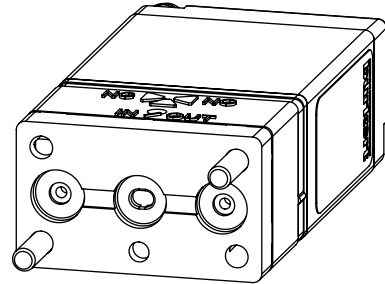
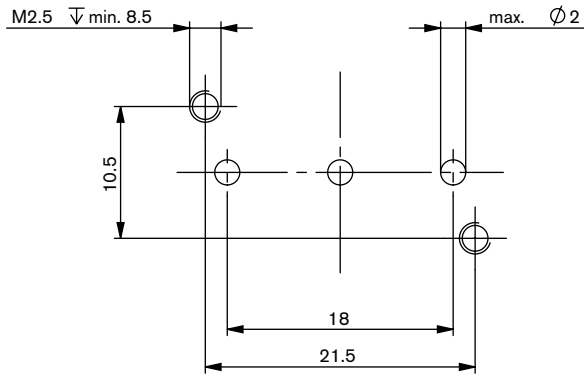
3/2-way-valve, normally open (circuit function T)  
inflow at "NO"-connector

Flange interfaces at page 4.

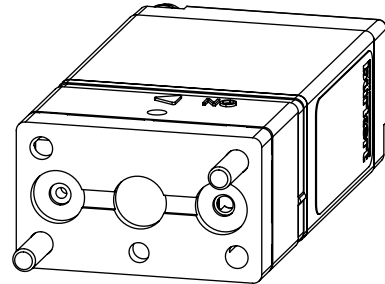
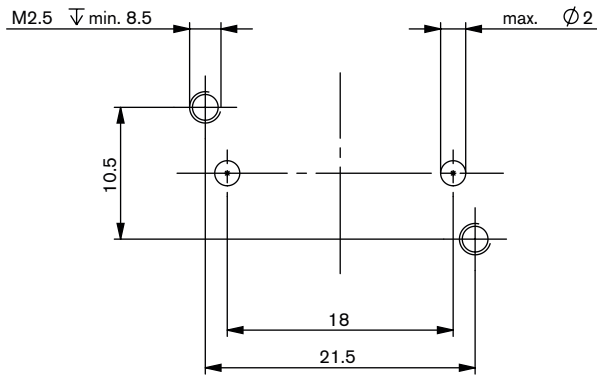
\* Other screw length on request.  
Self-tapping screws on request.  
When selecting a connection plate the screw head overlap has to be considered.

Overview flange interfaces 16 × 27 mm

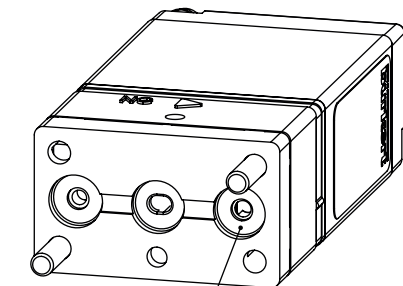
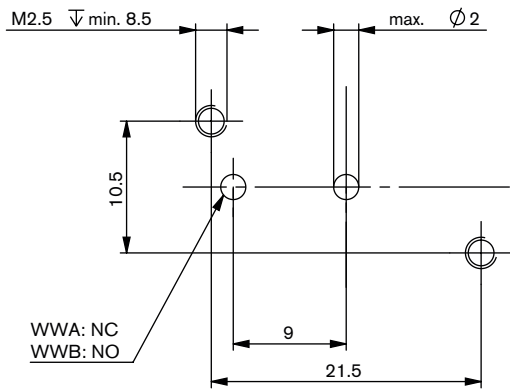
**bürkert flange interface FB23 - 3-way (standard)**



**bürkert flange interface FB43 - 2-way (standard)**



**bürkert flange interface FB33 - 2-way (low dead volume). not in ordering chart - on request**












hole not in use

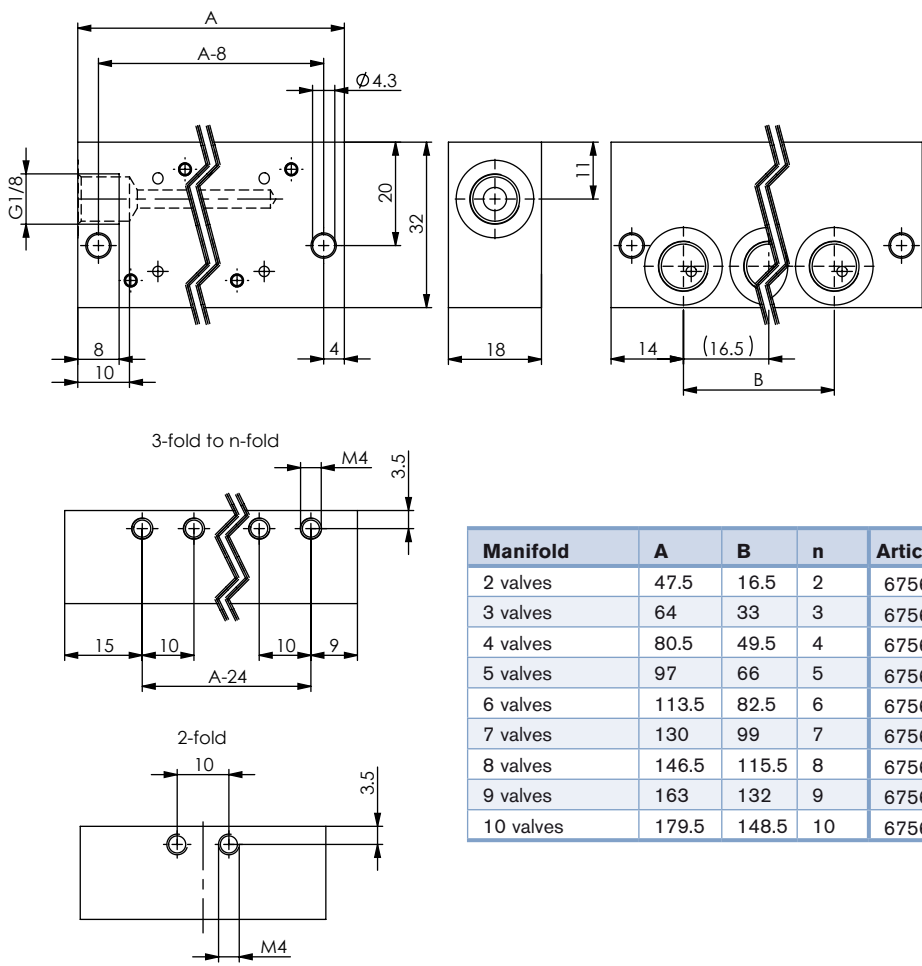
**i** On request available with anti-twist device










Ordering chart for Accessories

Cable plug type 2506 acc. DIN EN 175301-803 Form C, with flat seal and fixing screw, without cable.

	<b>Cable plug Type 2506</b>	<b>Voltage</b>	<b>Article no.</b>
	without circuit	0 - 250 V/UC	008353 
	with LED	12 - 24 V DC	008402 
	with LED and varistor	12 - 24 V DC	008408 
	with rectifier, LED and varistor	12 - 24 V/UC	008354 
<b>Rectangular plug type 2505</b>			<b>Article no.</b>
	with 3 m cable		252572 
	with 300 mm leads		262346 

Manifolds in PPS for Bürkert flange interface 16 × 27 2-way [mm]



Manifold	A	B	n	Article no.
2 valves	47.5	16.5	2	675628 
3 valves	64	33	3	675629 
4 valves	80.5	49.5	4	675630 
5 valves	97	66	5	675631 
6 valves	113.5	82.5	6	675632 
7 valves	130	99	7	675633 
8 valves	146.5	115.5	8	675634 
9 valves	163	132	9	675635 
10 valves	179.5	148.5	10	675636 

Manifolds in aluminium for Bürkert flange interface 16 × 27 3-way [mm]

Manifold	A	B	n	Article no.
2 valves	63	18	2	658695
3 valves	81	36	3	658696
4 valves	99	54	4	658697
5 valves	117	72	5	658698
6 valves	135	90	6	658699
8 valves	171	126	8	658700
10 valves	207	162	10	658701
12 valves	243	198	12	658703

Single manifolds in aluminium for Bürkert flange interface 16 × 27 [mm]

Manifold made from aluminium, black anodized,  
Port connection M5

**Article no.**  
623873

Manifold made from aluminium, black anodized,  
Port connection G 1/8

**Article no.**  
634917

**i** Caution: Pay attention to the coil fixing screw length to avoid overrun

To find your nearest Bürkert facility, click on the orange box → [www.burkert.com](http://www.burkert.com)

In case of special application conditions,  
please consult for advice.

Subject to alteration.  
© Christian Bürkert GmbH & Co. KG

1801/4\_EU-en\_00891746